

1 2 3 4 5 6 7 8

A A

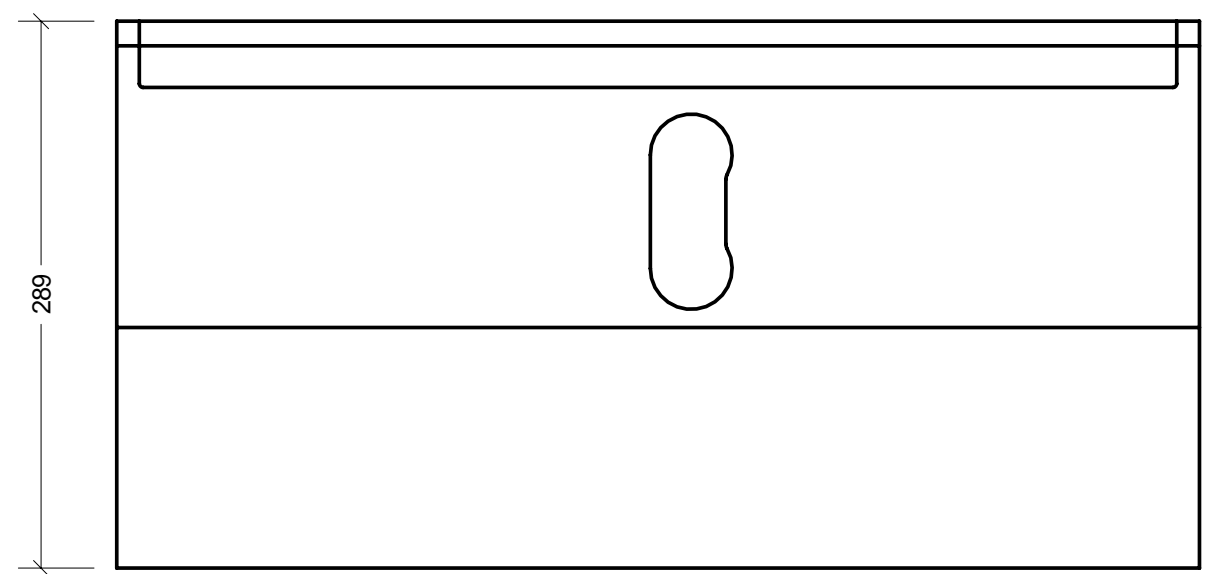
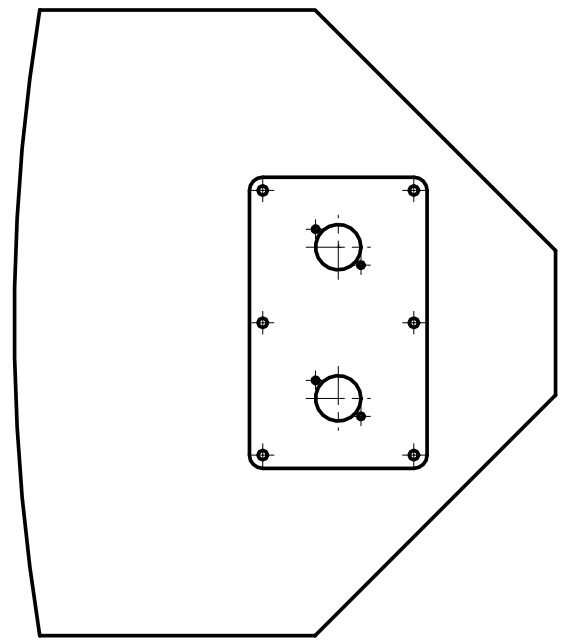
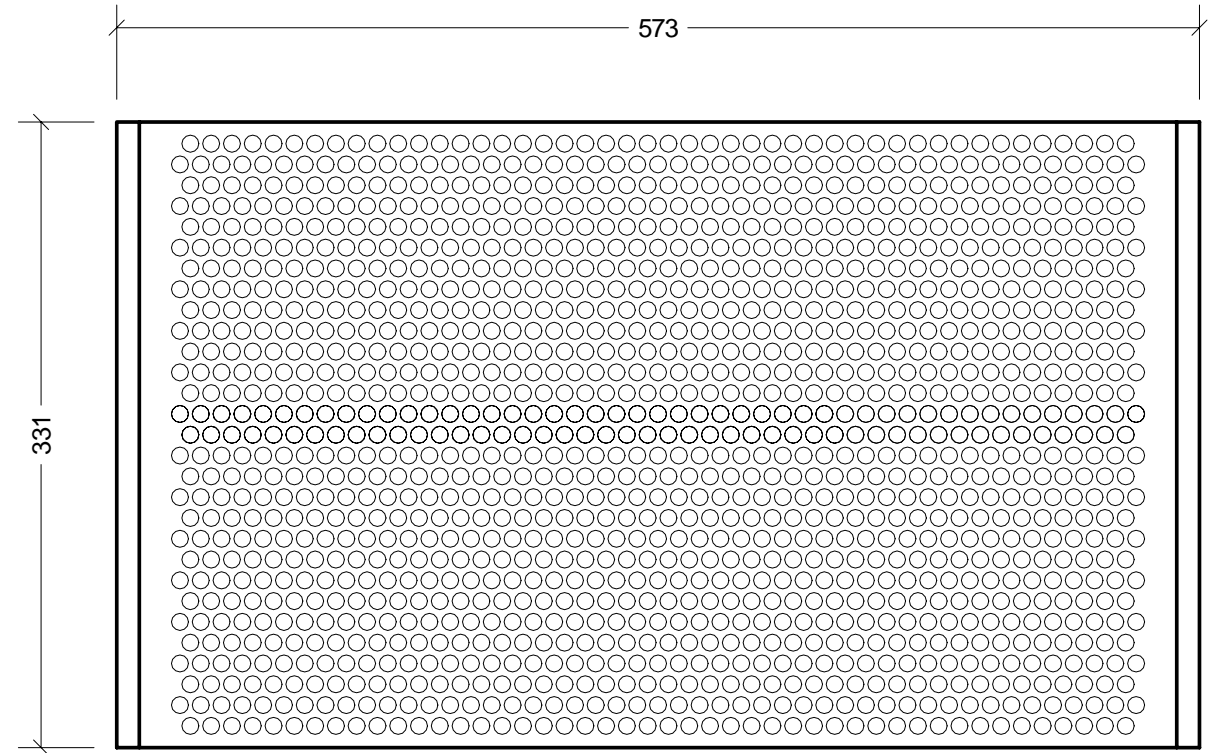
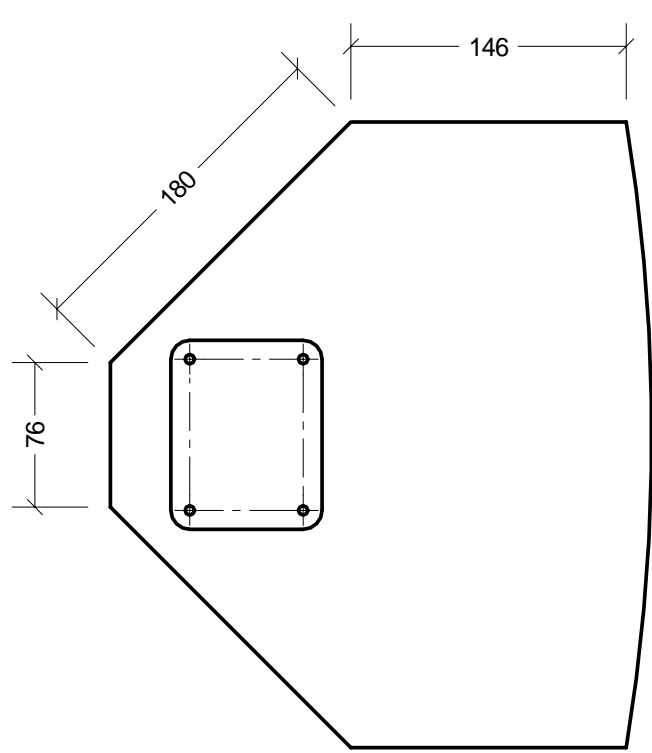
B B

C C

D D

E E

F F



A 22.03.2006 Original Issue	acoustic technologies				
	Drawn B. Hall	Checked	Approved	Revision A	Scale 1:3
	SFM24 General Arrangement			Sheet 1 of 1	
			AT-A3-247		

1 2 3 4 5 6 7 8